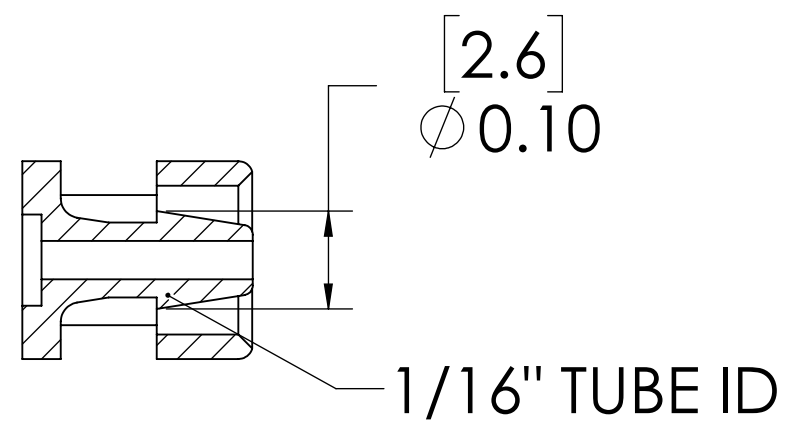
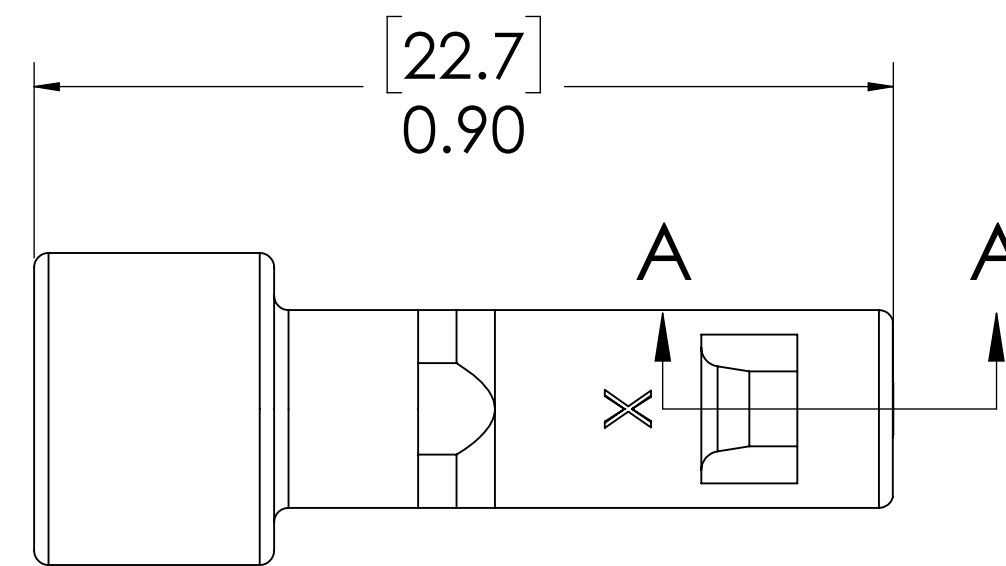
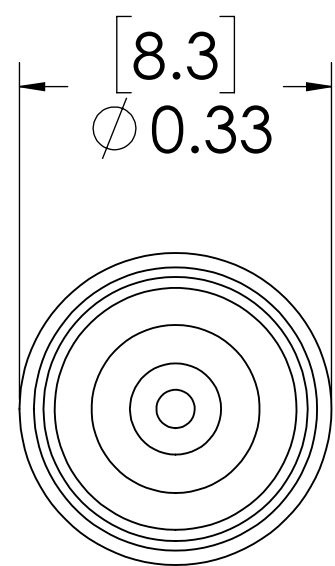
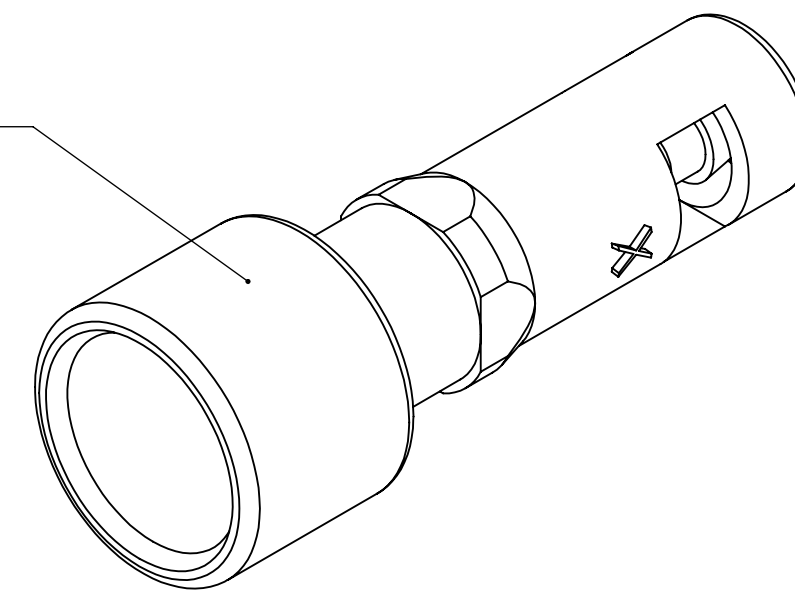


REVISIONS						
SHEET	ZONE	REV.	ECO	DESCRIPTION	DATE	APPROVED
1	ALL	NC	50047	INITIAL RELEASE	6/11/2013	HRC
1	ALL	A	50253	DRAWING FORMAT UPDATE	8/17/2018	HRC



SECTION A-A  
SCALE 5 : 1


SOCKET,  
(ACETAL)



**NOTES:**

- MATERIAL: ACETAL
- COLOR: NATURAL WHITE

**FOR REFERENCE ONLY**

UNLESS OTHERWISE SPECIFIED: DIMENSIONS ARE IN INCHES TOLERANCES: FRACTIONAL ± 1/32 ANGULAR, MACH ± 0.5 BEND ± 2 ONE PLACE DECIMAL ± 0.1 TWO PLACE DECIMAL ± 0.01 THREE PLACE DECIMAL ± 0.005 TWO PLACE DUAL (mm) [± 0.12]	DRAWN	HRC	5/31/13	 <b>PART NO:</b> 10AC-S2-01NS <b>DESCRIPTION:</b> LinkTech 10AC Series Straight Female, Non-valved, 1/16" HB, No Sleeve, Natural Acetal
	CHECKED	HRC	5/31/13	
<b>PROPRIETARY AND CONFIDENTIAL</b>  THE INFORMATION CONTAINED IN THIS DRAWING IS THE SOLE PROPERTY OF LINKTECH LLC. ANY REPRODUCTION OR DISCLOSURE IN PART OR AS A WHOLE WITHOUT THE WRITTEN PERMISSION OF LINKTECH LLC IS STRICTLY PROHIBITED.	ENG APPR.	HRC	8/17/18	<b>SIZE</b> DWG. NO. REV <b>C</b> 10AC100049 <b>A</b>
	MFG APPR.	BDB	8/17/18	
	PRODUCTION	LS	8/17/18	<b>SCALE:</b> NTS <b>WEIGHT:</b> <b>SHEET</b> 1 OF 1